
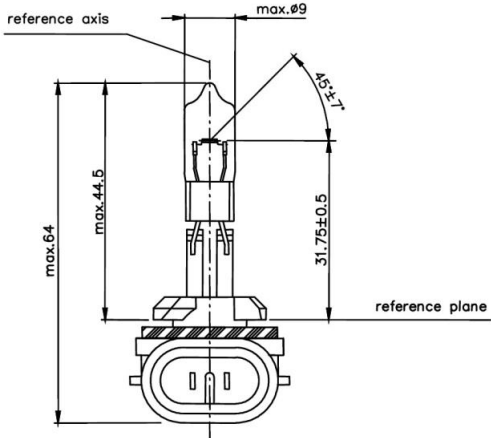


| GENERAL | | | |
|-----------------------------------------------------------------------------------|---------------------------------|-----------------------------|----------------------------------------------------|
|  | 862 12,8V 37,5W PGJ13 | Features | original equipment manufacturer quality, hardglass |
| | Ordering Number 28059 | Standard | ANSI |
| Product Description | halogen headlighting lamp | Typical Applications | fog light, special light |

| TECHNICAL DETAILS | | | |
|-------------------------------------------------------------------------------------|-----------------------------------------------------------------------|-----------------|--------------------------------------------------------------------|
|  | Rated Voltage | 12,8V | |
| | Rated Wattage | max. 42W @12,8V | |
| Base | PGJ13 | | |
| Operating Conditions | burning position: horizontal | | |
| Luminous Flux | 754 lm ± 12% @12,8V | | |
| Geometry | Light center length: 31,75mm ± 0,5mm Bulb diameter: max. 9mm | Lifetime | B50: 1000h @14,0V Lumen Maintenance: min. 85% after 750h @12,8V |

| DELIVERY DETAILS | | |
|------------------|-------------------------------------------------------------------------------------------|---------------------------------------------------------------------------------------------------------------------------------------------|
| Packaging | Industrial Packaging: 300pcs. (5×60) Commercial Box Packaging: 100pcs. (10×10×1) | Handle with care. Please store up and install the lamps free of mechanical damage, heat and moisture. For use in closed luminaires only. |

valid from 12/04/2017

replace for 19.08.2016-V3-PN16/0292

file 28059 - 862 12,8V 37,5W PGJ13.100

Disclaimer:
 Subject to change without notice. Errors and omission accepted.
 Always make sure to use the most recent release.